



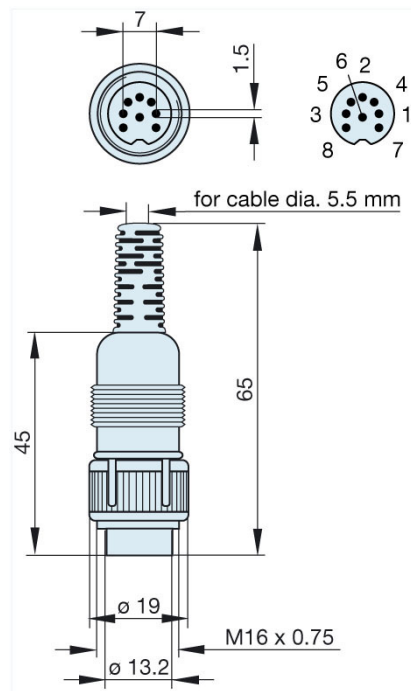
MAS 8100 S grau/grey

Industrial Connectors:Connectors for audio, video and data:Miniature multipole connectors:with locking screw:Straight plugs

Product description

Type	MAS 8100 S grau/grey
Order No.	930 539-517
Type of contact	male
Description	plug with locking screw; solder joint
Housing Color	grey
Number of contacts	8
Conductor size	$\leq 0.34 \text{ mm}^2$

Drawing



Technical data

LF output "Phone"	EN 60 130-09
Pole arrangement DIN	DIN 41 524 (pin 1-5)
Rated current	4 A
Rated voltage	AC/DC 34 V
Cable diameter	5.5 mm
Type of termination	solder

Material

Contact material	brass
Contact surface material	tin plated
Contact bearer material	PA 66/UL standard 94V-2

Housing material	PE
Environmental conditions	
Protection class (IEC 60529)	IP 30
Temperature range	-20 °C to +60 °C
Scope of delivery and accessories	
Packaging	retail package, polyethylene bag